



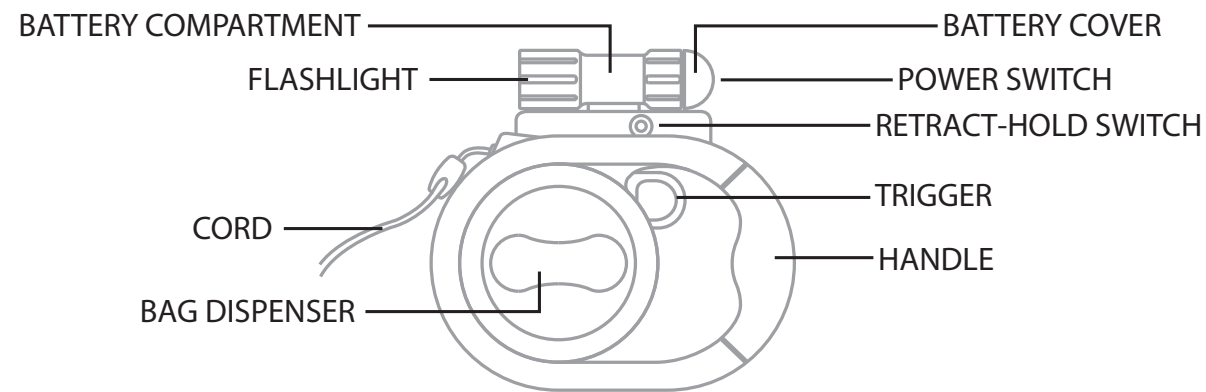
16-FOOT PET LEASH

INTRODUCTION

Thank you for purchasing the retractable leash with integrated flashlight.

Note that the retractable leash improves upon and operates differently than other retractable leashes you might have used. Before using the leash with your pet, carefully read these instructions and the warnings in the instruction manual and practice using the leash. Only after you fully understand the operation of the leash should you use the leash with your pet.

PARTS DESCRIPTION



LEASH INSTRUCTIONS

- Resting:** In the resting position (without pulling the trigger), the leash will be in a locked state. The leash will not retract.
- Releasing/extending:** In order to allow the leash to extend, pull the trigger. This will unlock the leash allowing your pet to pull and extend the leash. Once you release the trigger, the leash will stop extending and will enter a locked state.
- Retracting:** If the leash is extended without any tension on it, extra slack can be retracted by pulling the trigger.

NOTE: The retracting mechanism is not designed to and cannot pull your pet closer to you. It is designed only to retract extra, loose slack in the leash or to retract the leash fully once your pet is not connected to the leash.

- Retract-hold switch:** If you would like to keep the leash in the retracting mode without holding the trigger, you can engage the retract-hold switch by sliding it to the left while the trigger is pulled. Once engaged, you can release the trigger. The leash will remain in the retract mode, until you disengage the retract-hold switch by sliding it to the right.

NOTE: While the retract-hold switch is engaged, your pet will be able to extend the length of the leash. Only use this feature if the circumstances and environment make it safe for your pet to be able to extend its distance from you.

FLASHLIGHT INSTRUCTIONS

- Battery Installation:** Remove the battery cover by rotating it counterclockwise. Remove the battery holder. Insert three "AAA" batteries in the polarity direction shown on the battery holder. Replace the full battery holder by sliding it in with the silver line on the bottom. Replace the battery cover.
- Using the Flashlight:** Press the power switch to turn the flashlight on and off. You can conveniently remove the flashlight by sliding it forwards off the leash.

SAFETY

Please read the Instruction Manual carefully before using this leash, paying special attention to all cautionary statements and pictures. Keep this Instruction Manual for future reference.

Cautionary Instructions:

Follow all precautions listed in the Instruction Manual below. Fully understand all potential risks prior to using this leash. Use this leash with controllable dogs of less than 80 lbs and always be sure to pay close attention to prevent the leash from wrapping around yourself or others. Please note, even small dogs could cause injury. Never use this leash with more than one dog, and only use one leash at a time. This leash is not a toy and is not intended for small children. Only use this leash for its intended purpose.

Do not use this leash with assertive dogs or dogs that are not fully leash-trained. These leashes are designed for well-mannered, non-skittish, and non-assertive dogs that do not lunge or yank when being walked. Excessive or sudden pulling on the leash can cause the leash to malfunction, creating a serious danger. A stronger static (non-retractable) leash would be more appropriate if your dog is not leash-trained or has assertive tendencies. Even with well-mannered leash-trained dogs, retractable leashes can create serious dangers to dogs, their owners, and those in their immediate vicinity. This risk is unavoidable with all leashes, and especially retractable leashes. You assume such risk by using this leash.

If not used cautiously and according to the directions, the leash can cause serious injuries to you, your pet, or others:

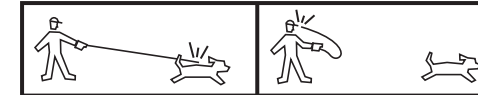
HAND/FINGER INJURIES (BURN, AMPUTATION, FRACTURE)



Never allow this leash to wrap around fingers or catch on a ring, due to the risk of amputation. In rare instances, a hard pull on the leash if wrapped inappropriately around the hand could cause amputation of the fingers or broken bones.

- Use the plastic handle and the release trigger to properly control your dog.
- Never use your hands to grab the leash cord/tape when a dog is attached.
- Always prevent the leash from wrapping around hands or fingers.
- Do not hold the leash cord/tape to control your dog.
- In the event the leash becomes wrapped around an object, gain control of the dog immediately, then safely disentangle it. Do not touch the leash cord/tape directly if your dog could pull on it.
- To further reduce the risk of finger injury, take off all rings and wear sturdy gloves.

EYE AND FACE INJURIES



If tension on the leash is released unexpectedly the hook attached to the end of the leash could snap back and contact your eye or face, potentially causing serious injury. Always use this leash in combination with a strong secure collar to avoid the potential danger of breakage and leash snap back. If a snap back occurs with enough force it may cause serious eye damage, broken teeth, cuts, and bruises. Take caution even if the leash is in the lock position, enough tension could still cause this to occur.

- Always inspect the leash for potential weak points prior to attaching it.
- Take care to securely attach this leash to a strong collar at all times.

FALLS



Never allow this leash to wrap around any part of the body, and especially your hand or fingers. Do not let skin contact an uncontrolled leash cord/tape because a quickly released leash may cause abrasions, burns or cuts. In rare instances, a hard pull on a leash wrapped inappropriately around a hand or finger can cause cuts, burns, fractures, or even amputation.

- Avoid excessive slack build up in the leash because it may lead to getting tangled in the slack.
- If a user becomes tangled, stand still and pass the handle around the body in the opposite direction of the wrap.
- To further reduce the risk of cuts and burns, wear gloves, long sleeves and pants to protect your exposed skin.
- Release the trigger to lock the leash in the event a dog begins to run away, this will immediately lock the release function and stop the dog abruptly. If speed is already built up, brace yourself for the full force of the dog.
- Excessive slack could allow a dog to build up speed while running away to suddenly pull the user.
- Remain on secure footing while operating this leash. Never use this leash while on wheels (i.e. skates, bikes, skateboards or roller blades).

INJURIES TO BYSTANDERS



Bystanders are also at risk for injury, review the cautionary statements described above. Most notably bystanders could be wrapped up in the leash if a dog is not properly controlled and direct contact with the skin could cause injury.

- Always be conscious of bystanders, especially children.
- If around other people or animals, lock and shorten the leash immediately.
- In the event someone becomes wrapped in the leash, instruct them to not touch the cord/tape, then immediately gain control of the dog.

USE ONLY WITH WELL-BEHAVED, LEASH-TRAINED DOGS WEIGHING LESS THAN 80 POUNDS.

©2011 Discovery Communications, LLC. Animal Planet and the Animal Planet logo are trademarks of Discovery Communications, LLC, used under license.

All rights reserved.

©2011 MerchSource, LLC. All rights reserved.

Distributed by MerchSource, LLC, Foothill Ranch, CA 92610.

PATENT PENDING

For customer support, please visit www.mscustomercare.com or call 1-800-374-2744.

Printed in China

BATTERY WARNING:

- Do not mix old and new batteries.
- Do not mix alkaline, standard (carbon-zinc), or rechargeable (nickel-cadmium) batteries.
- Insert batteries using the correct polarity. Do not short-circuit the supply terminal.
- Remove batteries when not in use. Recycle or dispose of exhausted batteries according to federal, state, and local laws. Do not dispose of batteries in a fire - they may leak or explode.
- Only use manufacturer specified battery(ies), charger(s) and/or adapter, if applicable, specified by the manufacturer.
- Always use, replace, and recharge (if applicable) batteries under adult supervision.

KEEP THIS INSTRUCTION MANUAL FOR REFERENCE AS IT CONTAINS IMPORTANT INFORMATION.