



EXTREME WEATHER TORNADO LAB

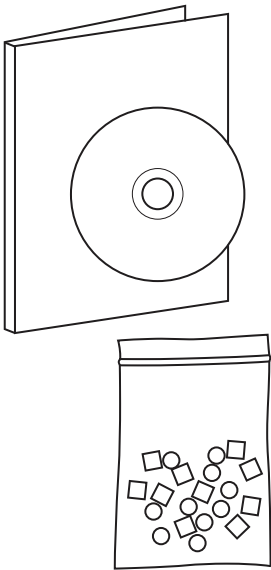
Instructions

AGES
6+

CONTENTS

CONTENTS:

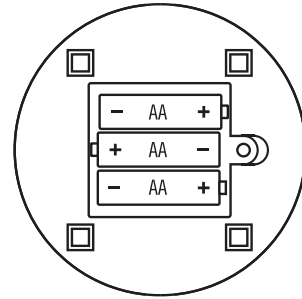
- Motorized tornado machine
- 10 plastic beads
- 10 foam pellets
- *Storm Chasers™* DVD



SET UP

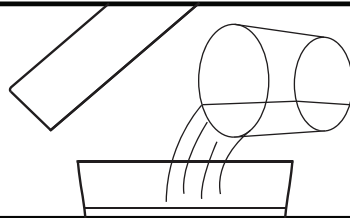
NOTE: Adult supervision required.

1



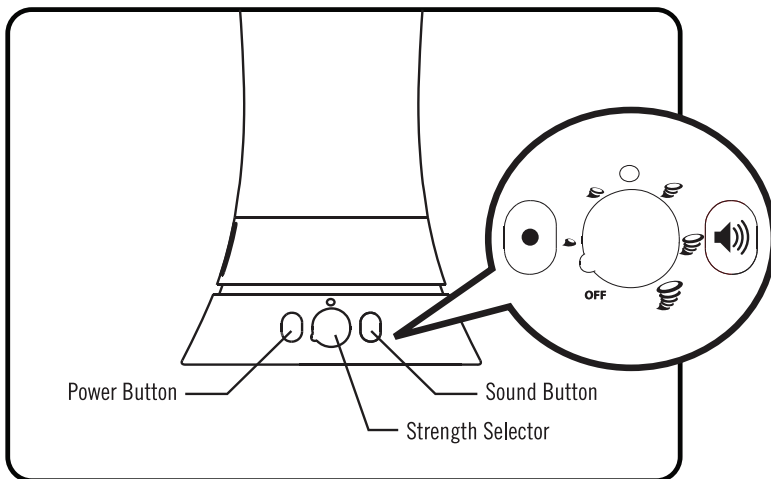
Before adding water, turn over the tornado lab to locate the battery compartment. Using a Phillips screwdriver, loosen the screw, then remove the battery cover. Insert three "AA" batteries (not included) as indicated in the diagram. Replace the battery cover and tighten the screw.

2



Lift the lid off, and pour water into the tank to the fill line. You may add the beads/pellets at this time (see #5 in operation below). Replace the lid.

OPERATION



- 1 Press the power button to turn on the master power.
- 2 Turn the center dial to activate the tornado machine.
- 3 Rotate the center dial clockwise for a more powerful tornado.
- 4 Press the sound button to hear the realistic tornado sounds. The sounds will automatically switch off after 10 seconds.
- 5 You can add the included plastic beads and foam pellets to observe how they get caught in the vortex of the tornado. Be sure to replace the lid after adding pellets/beads.
- 6 Look through the top window to see into the eye of the tornado.

BATTERY WARNING:

- Do not mix alkaline, standard (carbon-zinc) and rechargeable batteries (Nickel Metal Hydride).
- Do not mix old and new batteries.
- Non-rechargeable batteries are not to be recharged.
- Rechargeable batteries are to be removed from the item before being charged.
- Rechargeable batteries are only to be charged under adult supervision.
- Exhausted batteries should be removed immediately and must be recycled or disposed of properly according to state or local government ordinances and regulations.
- The supply terminals are not to be short-circuited.
- Only batteries of the same or equivalent type as recommended are to be used.
- Batteries are to be inserted with the correct polarity.
- Do not dispose of batteries in a fire - batteries may leak or explode.

KEEP THIS INSTRUCTION SHEET FOR REFERENCE AS IT CONTAINS IMPORTANT INFORMATION.



WARNING:

CHOKING HAZARD - Small Parts
Not for use by children.
Adult supervision required.